

GBCT Tension Catch

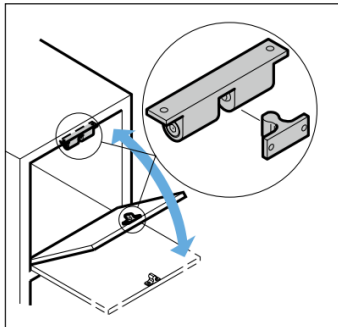
Features

- Can be installed vertically or horizontally
- Stainless steel 316 option **GBCTS** also available
- Passed 50,000 life cycle test

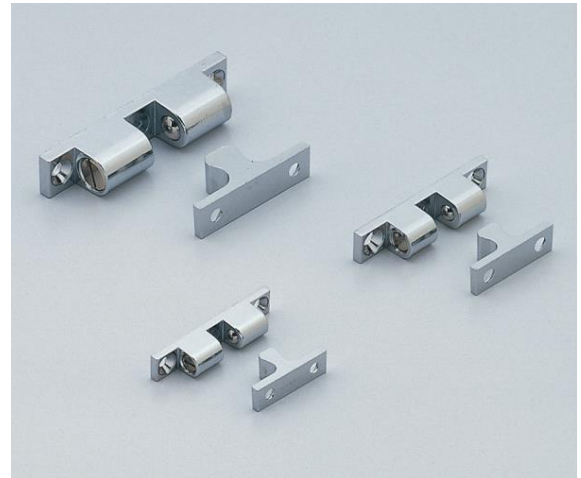
Notes

- Catch force is non adjustable, to not turn the slot portion
- Push-in and pulling force may vary depending on application environment

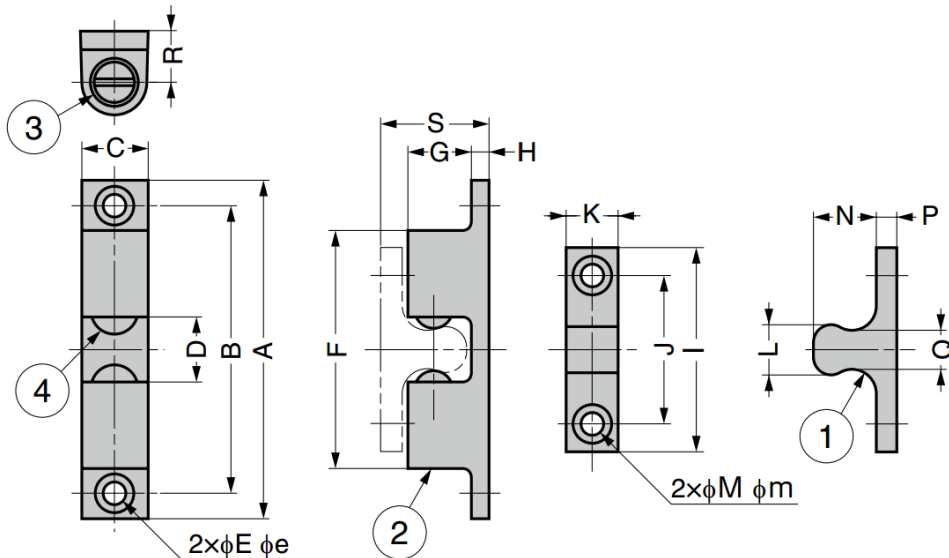
Application Example



Can also be installed vertically.



No.	Part Name	Material	Finish
①	Male	Zinc Alloy (ZDC)	Chrome
②	Female		
③	Cover	Brass	Nickel
④	Ball	Steel	Polished
-	Spring	Steel (SW)	Plain



Part No.	Push-In Force				Pulling Force			
	Force (N)	Weight (kg)	Force (N)	Weight (kg)				
GBCT-40	43.1 N	4.4 kg	29.4 N	3.0 kg				
GBCT-50	40.2 N	4.1 kg	32.3 N	3.3 kg				
GBCT-70	45.1 N	4.6 kg	34.3 N	3.5 kg				

Part No.	A	B	C	D	E	e	F	G	H	I	J	K	L	M	m	N	P	Q	R	S
GBCT-40	42.5	35	8	6.3	3.2	6.2	26.7	7.5	2.5	25	16	7.5	5.5	3.2	6.2	8.8	2.5	3.7	6.25	13.8
GBCT-50	50	40	10	8.4	4.2	8.2	29.8	9.5	3	30	20	9	7.3	4.2	8.2	9.8		4.7	7.75	15.3
GBCT-70	70	60	13.5	12			49	13	4	42	30	10.5	11			14.2	3	8.2	10.5	21.2